

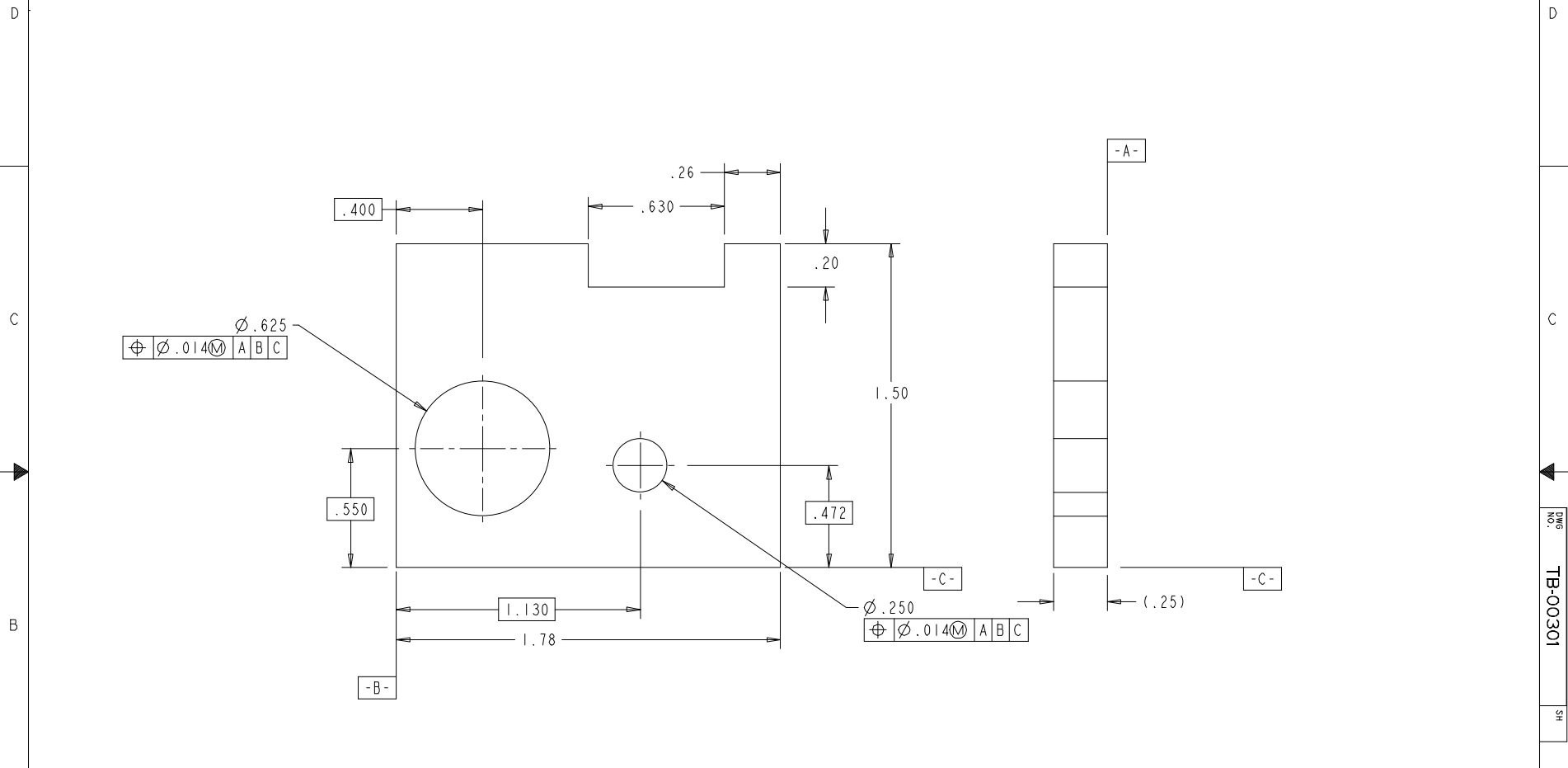
4

3

2

1

REVISIONS				
ZONE	REV	DESCRIPTION	DATE	APPROVED
	-	INITIAL RELEASE		



DWG NO. TB-00301

SH

		MFG REF NO.		CONTRACT		DETAIL																
		INTERPRET DIMENSIONS AND TOLERANCES PER ASME Y14.5M-1994		UNLESS OTHERWISE SPECIFIED, DIMENSIONS ARE IN INCHES; TOLERANCES: ANGLES ± 2 2 PL DEC ± .02 3 PL DEC ± .010		DRAWN BY	DATE															
		MATERIAL		MATERIAL, PROCESS, FINISH, SEE 00.40.		JAY ELLER	04 JUN 02	26	25	24	23	22	21	20	19	18	17	16	15	14	REV	SHEET
REF SPEC		.25 THICK MILD STEEL				JAY ELLER	04 JUN 02	13	12	11	10	9	8	7	6	5	4	3	2	1	REV	SHEET
		PROCESS						TOYBOX OFFROAD 22010 N. 23RD AVE PHOENIX, AZ 85027														
		FINISH						TITLE PLATE, TWIN STICK SHIFTER, RIGHT														
NEXT ASSY		USED ON (SYS)						DRAWING NO. TB-00301														
REF DWG	APPLICATION							SIZE C SHEET OF														

A

A

44 REV 05-05-94

4

3

2

1

COMPUTER GENERATED